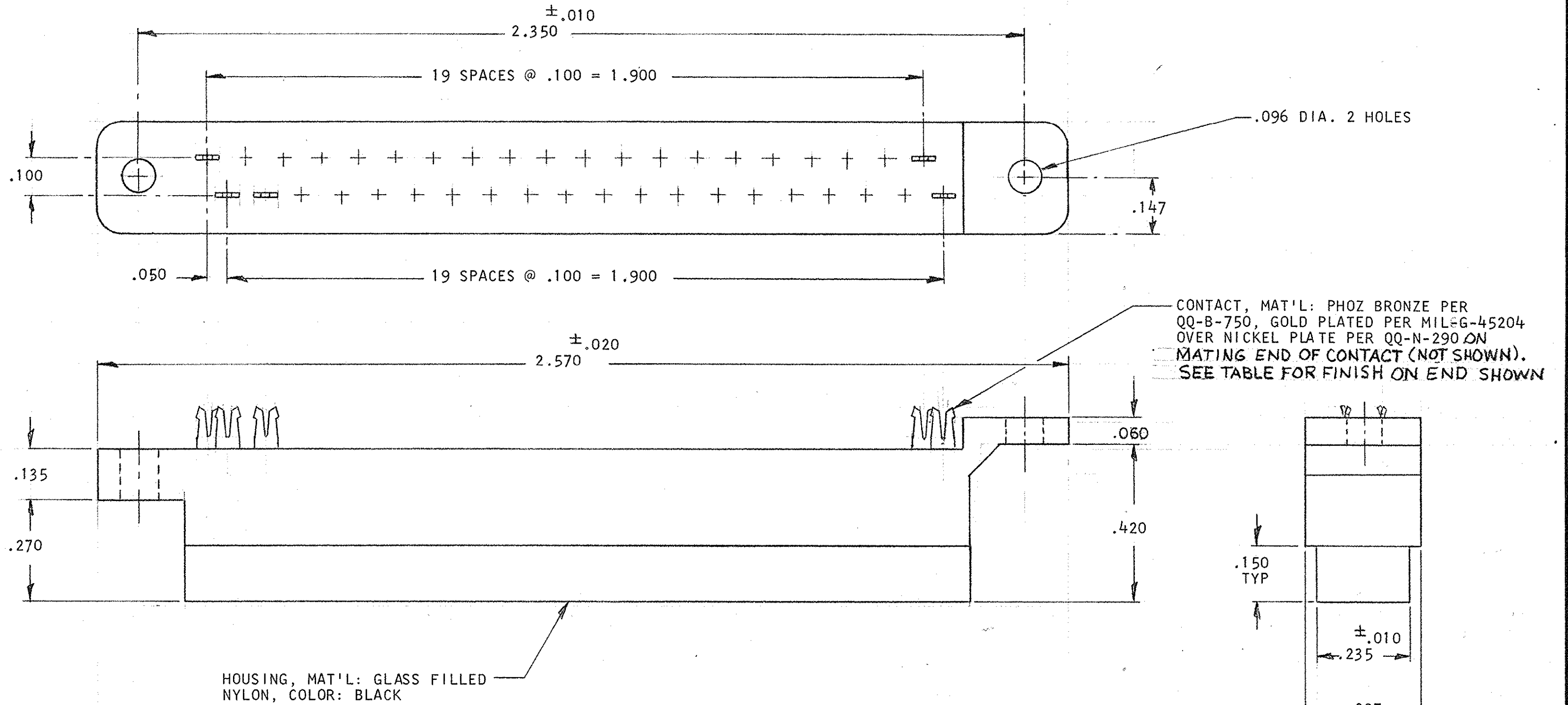


© COPYRIGHT 1980 BY AMP INCORPORATED, HARRISBURG, PA.  
 ALL INTERNATIONAL RIGHTS RESERVED. AMP INCORPORATED PRODUCTS  
 COVERED BY U. S. AND FOREIGN PATENTS AND/OR PATENTS PENDING.

REVISIONS						
P	F	ZONE	LTR	DESCRIPTION	DATE	APPROVED
✓	✓		O	RELEASED WAS 5088-220	9-25-80	AS
			A	REVISED PER OH4-0139-05	1-26-06	Py RG

1. COVER INCLUDED



5-208498-1	MATTE TIN PLATE
208498-1	BRIGHT TIN-LEAD PLATE
PART NO	FINISH FOR INSULATION DISPLACEMENT END OF CONTACT PART NO
UNLESS OTHERWISE SPECIFIED DIMENSIONS ARE IN INCHES. TOLERANCES ON: DECIMALS ±.005 ANGLES ± #	CONTRACT NO
MATERIAL SEE CALLOUT	DR <i>Steve Smith</i> 9/25/80 CHK <i>E. Emanuel</i> 9-25-80 APPD <i>Steve Smith</i> 9/25/80 APPD <i>William B. Long</i> 9/25/80
FINISH SEE CALLOUT	DSGN APPD OTHER APPD
<b>AMP</b> AMP INCORPORATED Harrisburg, Pa.	
NAME PIN BLOCK, 40 POS., ZERO ENTRY (FOR RIBBON CABLE) AND COVER	
SIZE <b>C</b>	CODE IDENT NO <b>00779</b>
DRAWING NO <b>208498</b>	
SCALE #	SHEET 1 OF 1

208498